

# UNU

Standing hanger

Design:  
Piotr Kuchciński

A hanger of unusual form and appearance. A combination of metal and wood; aesthetics and durability. Apart from its practical function, it will also be a stylish addition to any interior.

Its firm base and stable frame determine persistent and secure structure. The hanger comes in various colours of frame and knobs.

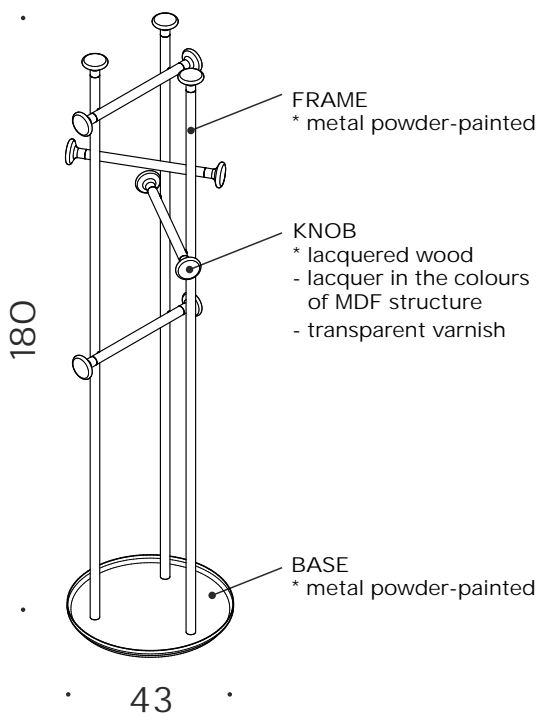
The rounded knobs, placed at different heights, are made of solid wood. The hanger frame and its arms are powder-painted.

Colour variants:

Frame:	Knobs lacquered in the colour of the frame:
black RAL 9005	matt black BT
white matt structure 9016	white RT
sand	matt sand TT
true grey	true grey ZT
deep grey RAL 7037	deep grey UT
quartz RAL 7022	quartz ST
dark graphite RAL 7021	dark graphite WT
azure blue	azure blue XT
mint	matt mint MT
	or natural oak



## UN-56



**NOTE!**

- \* the metal elements are not galvanised, in case of high humidity rust may appear
- \* shipping in disassembled condition